



Pre – Trip Trailer Form

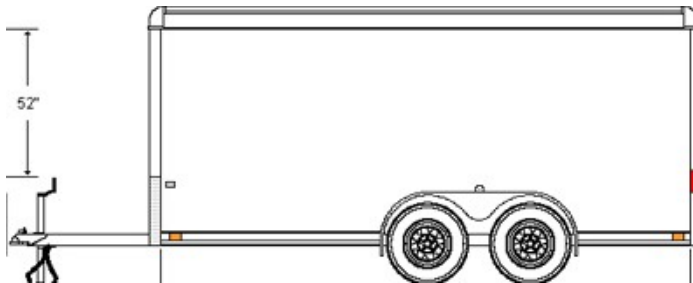
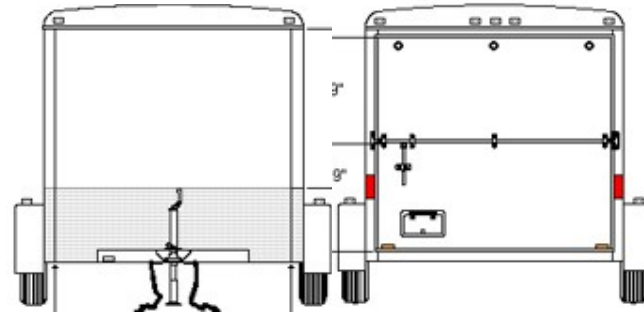
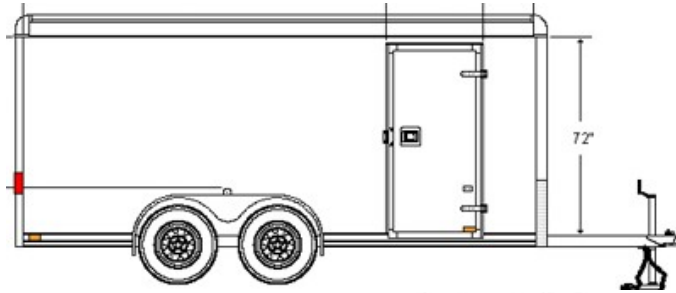
****Please fill out before departure, put in drop box or turn into office.****
Thank You.

Coach Name: _____ Date: _____

Driver Name: _____ VIN #: _____

Trailer #: _____ Tour: _____

EXTERIOR	
- Wash	
- Paint	
- Body	
PIGTAIL	
- Wiring	
- Connections	
INTERIOR	
- Swept	
- Dry	
- Walls (NO DAMAGE)	
LIGHTS	
- Clearance	
- Brake	
- Turn	
- Interior	
WHEELS	
- Studs/Lugs	
- Pressure	
- Wear	
DOORS	
- Hinges	
- Handles	
DOCUMENTS	
- Copy of Registration	
- Annual DOT Inspection	



REPAIRS IF NEEDED

Drivers Signature: _____

Date: _____